

## APPLICATION

The Brand-Rex Cat5e unshielded Tool-Free jack is part of the Brand-Rex **GigaPlus** cabling system. When used within a channel the tool-free jack provides an industry leading electrical performance. The jack is innovatively designed for QUICK, EASY and EFFICIENT product termination. Requiring low insertion force, no termination tool is necessary and there is no need for flat surface termination. Tests prove the truly tool-free jack halves the termination time, therefore greatly reducing installation labour time...ultimately saving you money. The jack is fully compatible with all our UK and Continental style faceplates and patch panel products.

## FEATURES

- Fast termination time
- Patented contact array providing standards compliance electrical performance
- Low contact insertion force guaranteeing tool free termination.
- Compact Design:
  - 16.3mm width
  - 32mm depth
- Colour coded contact array clearly distinguishes blue for Cat5 performance
- Rear, top or side entry cable configuration for maximum flexibility
- Tool free re-termination.

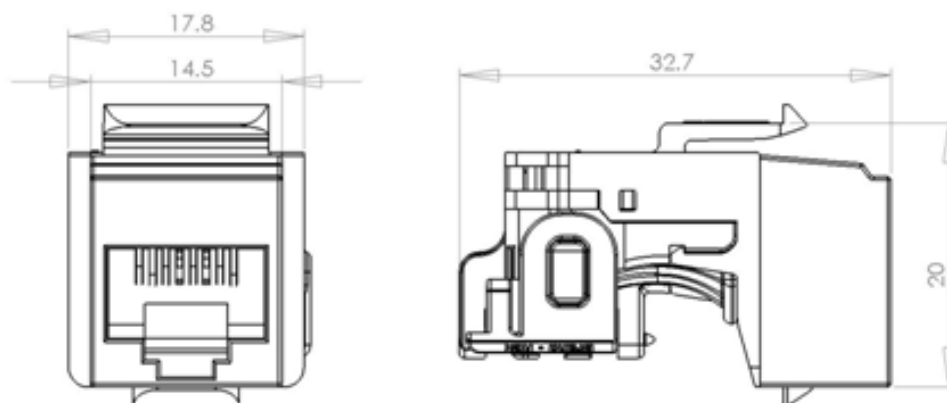


**GPCJAKU002**

## ORDER INFO

Brand-Rex Part Number	Item Description	Colour	Weight per Item (nom)	Qty per Pack
GPCJAKU002	Cat5e Un-Shielded Tool Free Jack	Grey	15g	12

## PHYSICAL CHARACTERISTICS



## APPLICABLE PRODUCT STANDARDS

---

- ISO/IEC category: Category 5e performance connector for use in Class D cabling systems
- ISO/IEC 11801 ed 2.2 (2011)
- IEC 60603-7, 7-1, 7-41
- EIA/TIA 568C series: Category 5 performance

## ENVIRONMENTAL CONDITIONS

---

- Operating temperature from -10°C to 60°C at 93% relative humidity, non-condensing
- Storage temperature from -40°C to 70°C

## ELECTRICAL CHARACTERISTICS

---

- |                                 |                            |
|---------------------------------|----------------------------|
| • Voltage Proof:                | 1500V dc / ac peak         |
| • Current-temperature derating: | compliant with IEC 60603-7 |
| • Contact Resistance:           | <20mΩ                      |
| • Insulation Resistance:        | >500MΩ                     |
| • Coupling attenuation:         | >61dB                      |

## MECHANICAL SPECIFICATION

---

- |                           |  |
|---------------------------|--|
| • IDC Contacts:           | Accept solid wires 26-22AWG  |
| • Apertures:              | The product fits into 14.9mm x 19.8mm (WxH) cut outs with 1.5mm-1.6mm plate thickness.           |
| • Repeat plug insertions: | >750 mating cycles with an IEC 60603-7 compliant plug<br>Product tested to 2500 insertion cycles |
| • Wiring:                 | T568 A and B wiring types  |
| • Contact Pins            | Phosphor Bronze, Nickel Plated with selective gold plating (50micro-inch min) over contact area  |
- Note that each product pack contains a full installation instruction.

## REGULATIONS & COMPLIANCE

---

- RoHS 2011/65/EU Compliant

---

*“Brand-Rex is **dedicated to designing, developing and manufacturing** sustainable **high performance** structured cabling and speciality cabling solutions”*

The information contained in this document is valid and correct at the time of issue. Brand-Rex reserves the right to modify details without notice in light of subsequent standard/specification changes and ongoing technical developments.