

## KFH 000216

Housing for data outlets IP66

Illustratie van housing KFH 000216+Angled module BCA 1750 + keystone connector



Weatherproof enclosure

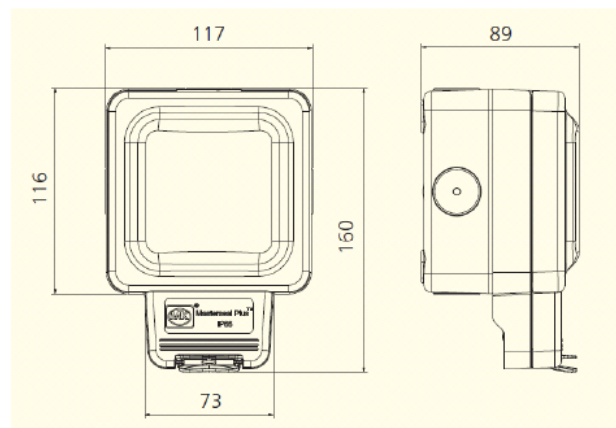
Specifically designed for use outdoor or in areas heavily exposed to dust and/or splashing water. Constructed from extremely robust polycarbonate, sealed to IP66 against dust, water and is impact resistant.

### Features

IP66 date and telecoms protection meet all relevant BS, OFTEL and cabling standards. Interchangeable modules clip into enclosure can be specified for all application

### Physical

- Insert module DIMENSIONS (mm) : 2 x 25 x 50mm
- Temperature range: Ambient air 0°C to 40°C
- IP66 (enclosure)



Nederland  
Kannegieter Electronica B.V.  
Astronaut 28  
Postbus 2749  
3800 GG Amersfoort

[www.kannegieter.nl](http://www.kannegieter.nl)  
[info@kannegieter.nl](mailto:info@kannegieter.nl)  
t+ 31 (0)33 450 86 86  
f +31 (0)33 450 87 87

België-Belgique  
Kannegieter Electronica N.V.  
Buro & Design Center  
Esplanade 1 – Box 42  
B-1020 Brussel (Laken)

[www.kannegieter.be](http://www.kannegieter.be)  
[info@kannegieter.be](mailto:info@kannegieter.be)  
t+ 32 (0)2 725 25 60